

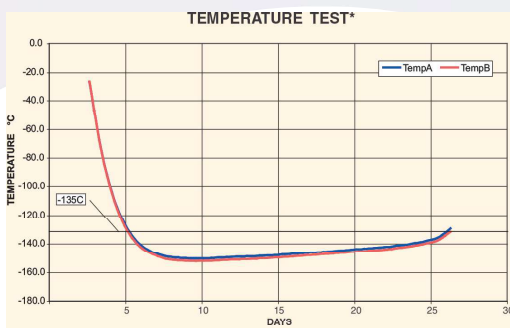
# MVE 1536 Dry Shipper

## Securely Ship Large Volumes of Samples in Vapor

MVE 1536 Dry Shipper incorporates a rigid steel Isoframe that is sized to fit in a wide-body aircraft and can be moved with a pallet jack and/or forklift. Complete with lockable inventory tray to prevent rotation during transit and a lockable lid. A data logger is included as standard to monitor and record sample temperature during transportation or relocation.

## Key Features

- Liquid Nitrogen absorbent can be charged for dry shipment
- Hold time up to 20 days when properly charged
- Rigid steel frame can be moved with pallet jack/ forklift
- Sized to fit in a wide-body aircraft
- Inventory tray locks to prevent rotation during transit
- Locking lid
- Includes data logger to monitor and record sample temperature during shipment or relocation



**Temperature Test Graph**

\* Temp Test indicates typical performance of MVE 1536PD freezer with full inventory system and factory recommended level settings. Actual performance may vary with atmospheric conditions and usage.



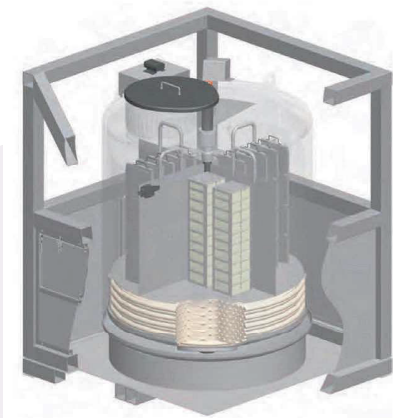
# MVE 1536 Dry Shipper

| Maximum Storage Capacity                    |                   |
|---|-------------------|
| ○ 1.2 & 2 ml Vials (Internally Threaded)    | 36400             |
| ○ Quantity of Large Racks 100 cell boxes    | 24                |
| ○ Quantity of Mini Racks 25 cell boxes      | 16                |
| ○ Number of Shelves per Rack                | 13                |
| Performance                                 |                   |
| ○ Absorbed LN <sub>2</sub> Capacity L est.  | 320               |
| Unit Dimensions                             |                   |
| ○ Neck Opening in. (mm)                     | 17.5 (444)        |
| ○ Usable Internal Height in. (mm)           | 30 (762)          |
| ○ Inner Diameter in. (mm)                   | 38.5 (978)        |
| ○ Overall Height including Frame** in. (mm) | 64 (1625)         |
| ○ Liftover Height in. (mm)                  | 42.1 (1070)       |
| ○ Step Height in. (mm)                      | 20.5 (521)        |
| ○ Depth of Fold Down Step in. (mm)          | 10.8 (274)        |
| ○ Footprint in. (mm)                        | 52x52 (1321x1321) |
| ○ Weight Empty* lb. (kg)                    | 1600 (726)        |
| ○ Weight Liquid Full* lb. (kg) est.         | 2044 (927)        |

## THREE Year Vacuum Warranty • TWO Year Parts Warranty

Conforms to MDD 93/42/EEC, the Medical Device Directive for the EU. Freezer systems UL/C-UL Listed.

\* Without inventory | \*\*Contact Tech Service for detailed drawings.



### Tank Features



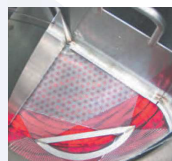
Locking Cabinet



Data Logger



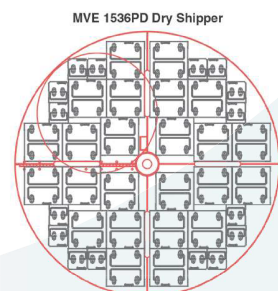
Top View



Tray

### Rack Layout

Square Rack Layout



24, 100 = Large Racks  
 16, 100 = Mini Racks  
 36,400 Vials